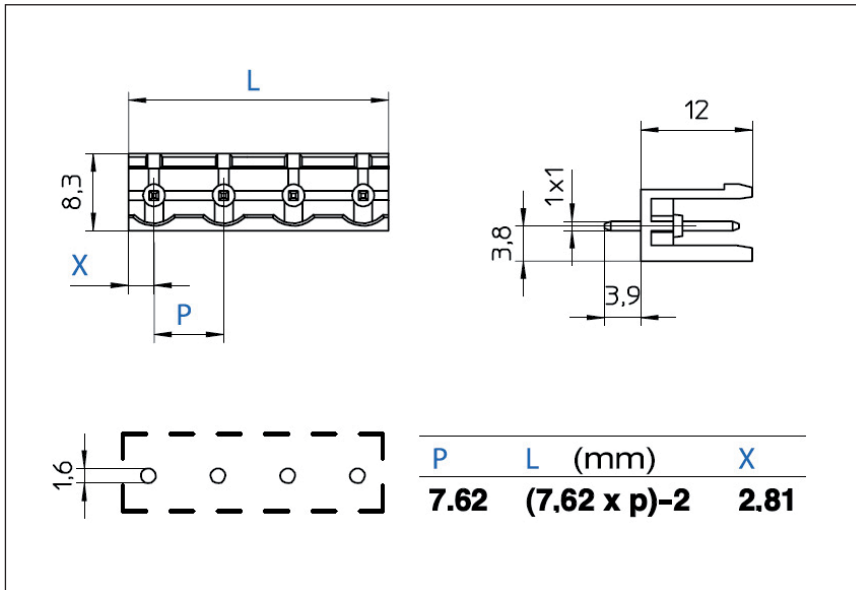


Standard Pluggable PCB Terminal Block Header, Open End CPM7.62-A

The CPM family of printed circuit board headers is used with the CPF and MRT3 pluggable terminal blocks. The CPM is available in both a vertical and 90 degree version and with either open or closed ends. A feature of the CPM header is the molded-in polarization that insures proper mating of the plug. The CPM headers are available in 2 to 12 positions and have a UL rating of 12 amps, 300 volts. The standard color is green, however other colors are available upon request.

SPECIFICATIONS

Housing Material:	PA68 Polyamide, Flammable UL94V0
Housing Color:	Green
Pin:	Tin Plated Brass
PCB Mounting Hole:	1.6 mm
Nominal Current:	12A
Voltage:	300V
Temperature Range:	-30° C to 85° C



Item	No. of Poles	Length (mm)
CPM7.62-A	2	13.24
CPM7.62-A	3	20.86
CPM7.62-A	4	28.48
CPM7.62-A	5	36.10
CPM7.62-A	6	43.72
CPM7.62-A	7	51.34
CPM7.62-A	8	58.96
CPM7.62-A	9	66.58
CPM7.62-A	10	74.20
CPM7.62-A	11	81.82
CPM7.62-A	12	89.44